



Stepwise Debugging for Hardware Accelerators

Griffin Berlstein
Cornell University
USA

Christophe Gyurgyik
Cornell University
USA

Rachit Nigam
Cornell University
USA

Adrian Sampson
Cornell University
USA

ABSTRACT

High-level programming models for hardware design let domain experts quickly produce specialized accelerators. However, tools for debugging these accelerators remain tied to low-level hardware description languages (HDLs). High-level descriptions contain control-flow information that is lost in HDL code. We describe Cider, a stepwise debugger that exploits this information to provide software-like debugging abstractions for languages that compile to hardware. Cider uses Calyx, an intermediate language for accelerator generators that preserves control information. Cider provides breakpoints, watchpoints, state inspection, and source-level position mapping. Using case studies that examine one new and two preexisting accelerator generators, we demonstrate how Cider helps find and localize previously unreported bugs. By directly simulating a control-rich representation, Cider avoids wasting effort on inactive parts of the design and, despite being largely unoptimized, performs competitively with open-source HDL simulators.

CCS CONCEPTS

• **Hardware** → **Hardware description languages and compilation; Bug detection, localization and diagnosis; Bug fixing (hardware);** • **Software and its engineering** → *Software maintenance tools.*

KEYWORDS

Intermediate Language, Accelerator Design, Debugging, Accelerator Simulation

ACM Reference Format:

Griffin Berlstein, Rachit Nigam, Christophe Gyurgyik, and Adrian Sampson. 2023. Stepwise Debugging for Hardware Accelerators. In *Proceedings of the 28th ACM International Conference on Architectural Support for Programming Languages and Operating Systems, Volume 2 (ASPLOS '23), March 25–29, 2023, Vancouver, BC, Canada*. ACM, New York, NY, USA, 13 pages. <https://doi.org/10.1145/3575693.3575717>

Permission to make digital or hard copies of all or part of this work for personal or classroom use is granted without fee provided that copies are not made or distributed for profit or commercial advantage and that copies bear this notice and the full citation on the first page. Copyrights for components of this work owned by others than the author(s) must be honored. Abstracting with credit is permitted. To copy otherwise, or republish, to post on servers or to redistribute to lists, requires prior specific permission and/or a fee. Request permissions from permissions@acm.org.
ASPLOS '23, March 25–29, 2023, Vancouver, BC, Canada
© 2023 Copyright held by the owner/author(s). Publication rights licensed to ACM.
ACM ISBN 978-1-4503-9916-6/23/03...\$15.00
<https://doi.org/10.1145/3575693.3575717>

1 INTRODUCTION

High-level programming models [13, 15, 23, 24, 31] have brought accelerator design within reach of domain experts. Debugging these designs, however, remains challenging. The mainstream option is register-transfer level (RTL) simulation, which records the values of every signal in the circuit on every clock cycle [41, 44]. Scanning through a simulator’s waveform trace is radically different from using a standard software debugger such as GDB [38]: there is no “single-stepping” at any granularity other than clock cycles; there are no breakpoints; and all program state is flattened into wire signals. Worse, RTL simulators do not relate circuit state back to the source code in a high-level language. Waveform debugging is like using a software debugger that can only step through assembly-level *instructions*, not source-level *statements*.

An alternative is to debug programs in the source language’s semantics—for example, by writing an interpreter or by compiling it to a software executable and using GDB [34]. High-level execution can find functional problems, but it cannot help with bugs that only arise in hardware. These bugs are common [19]. Generating hardware from high-level descriptions is error-prone: compilers must introduce cycle-level timing, explicit parallelism, custom numerical representations, and physical resource sharing—all of which affect correctness.

This paper describes Cider, a debugging framework for programming languages that compile to hardware accelerators. The key contribution is in implementing a flexible *program step* abstraction that can correspond to source-level constructs in high-level languages. These steps undergird familiar interactive debugging tools, such as breakpoints, single stepping, and watchpoints, and they enable source-level stepping.

Our framework needs a program representation that can expose these coarse-grained program steps while faithfully simulating hardware-level semantics. Hardware description languages, such as Verilog [1], Bluespec [33], or Chisel [5], do not suffice because they have no information about high-level programs’ control flow. By the time an accelerator compiler has generated Verilog code, all the control information is encoded as state-machine logic, multiplexer signaling, and other unstructured hardware. We instead build Cider on Calyx [32], an existing intermediate language for accelerator compilers that preserves control information from high-level languages.

Cider’s insight is that, by using a higher-level representation rather than an HDL, we can exploit control flow information *already present* in accelerators to provide stepwise, source-level debugging for languages that compile to hardware. Figure 1 depicts Cider and its relationship to the existing Calyx compiler. Cider executes Calyx

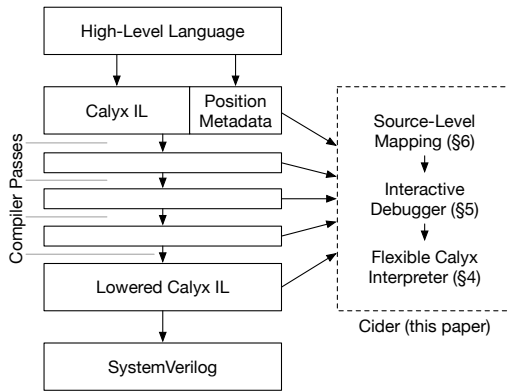


Figure 1: Cider is a stepwise debugger that directly executes the Calyx intermediate language for hardware accelerator generation without first compiling to RTL descriptions.

IL directly, without relying on Verilog semantics or simulators, and uses position metadata to provide source-level debugging.

Cider supports three different user populations. It lets *domain specific language (DSL) developers* quickly prototype new compilers targeting Calyx and can help localize bugs in these compilers. As compilers mature, developers can add source mapping information to provide *end users* with a native debugging experience through Cider. Finally, Cider can help Calyx compiler engineers localize bugs in the core compiler toolchain and improve the stability of the entire ecosystem.

This paper’s key contributions are:

- We design an interpreter for the Calyx intermediate language [32] by distilling an (informal) IL-level semantics including its undefined behavior. The only previous implementation of Calyx was a compiler to RTL, which left these semantic details under-specified.
- Using the interpreter, we implement a debugger that provides software-like debugging constructs such as single stepping, breakpoints, watchpoints, and state inspection.
- We build flexible source-level mapping for Cider, which lets frontends step at the level of source-code constructs.
- We perform two case studies using Cider to debug accelerator generators: a loop-based imperative language [31] and a machine learning framework [11].
- We compare Cider’s performance to RTL simulation. Cider is 4.2× faster than Icarus Verilog [44], an interpreter-based simulator, and 2.9× slower than Verilator [41], a compilation-based simulator. Cider’s performance advantage stems from exploiting control information to avoid wasted effort simulating irrelevant parts of a design.

2 BACKGROUND

This section summarizes the mainstream debugging tools available to accelerator designers (Section 2.1) and introduces Calyx [32], the program representation that Cider builds upon (Section 2.2).

2.1 Abstractions for Debugging Accelerators

The *lingua franca* for hardware design is register-transfer level (RTL) descriptions. Programmers can implement computational accelerators directly in RTL or use higher-level languages that compile to it [15, 23, 31, 46]. Designers can therefore debug accelerators at two levels of abstraction: at the *functional* level, before compiling to RTL; or in RTL, using *waveform debugging*.

Waveform debugging. RTL code describes how to compute the values in wires and registers each clock cycle. Designers debug a hardware design by either simulating it in software [34, 41, 44] or by running it on an FPGA and recording a subset of the signals using a logic analyzer [16, 21, 45]. Either route produces a *waveform* trace that exhaustively records, on every clock cycle, the value of every monitored signal. Waveform viewers [9] let designers visualize values while zooming and panning through linear time.

Waveforms reflect RTL semantics, so they can be difficult to associate with bugs that occur in higher-level languages that compile to RTL. They make it hard to *temporally localize* when a bug happens because the only notion of time step is a clock cycle—not a logical program step. They also complicate *spatially localizing* bugs because all signals may be equally relevant at any time.

Reacting to this difficulty, tools like Cuttlesim [34] improve post-compilation RTL debugging by raising the abstractions to the level of rule-based hardware design languages, such as Kôika [8]. Like HDLs, these languages and tools are built for hardware designers and excel at designing arbitrary circuits and CPUs. Our focus in this paper is instead on *high-level* algorithmic and domain-specific languages that aim to let domain experts productively design computational accelerators.

Functional debugging. The alternative to waveform debugging is executing programs using their high-level language semantics, before compiling to RTL. For example, high-level synthesis (HLS) compilers translate C to RTL [20, 46]; designers can debug these C programs directly with standard tools like GDB [38]. This approach cannot catch bugs introduced during the compilation to hardware. While users may hope that hardware compilers are always faithful to language semantics, in practice this is rarely the case. Bugs pervade even popular commercial HLS tools [19]. Fundamentally, compilation to RTL needs to introduce hardware-level concerns that are difficult to fully abstract, such as custom numerical formats and pervasive fine-grained parallelism. To bridge this semantic gap, some work has aimed to map waveform data back to high-level program state [12, 16, 18]. However, these efforts are point solutions specific to C-based HLS tools—each new compiler must build such a capability from scratch.

The goal of our work is to provide an *infrastructure* for debugging in languages that compile to hardware. We build a core debugging engine that exploits the control information from a given high-level language while faithfully executing hardware-level simulation.

2.2 Calyx

Calyx [32] is an intermediate language (IL) for hardware generation. It combines hardware dataflow and control flow. Unlike software ILs [25], it directly represents physical hardware resources; unlike

```

1 const step: real = 1.0;
2 fn counter(x: real) {
3   dest = x;
4   for _ in 0..4 { dest += step; }
5   return dest;
6 }

```

Figure 2: Pseudocode that computes $dest = x + 4 \times step$.

```

1 component counter(go: 1, x: 32) -> (done: 1) {
2   cells {
3     dest_m = 1D_memory(32, 1);
4     step = constant(32, 32768);
5     acc_r = register(32); idx_r = register(2);
6     fpa = fixed_point_adder(32, 16, 16);
7     add = adder(2);
8     le = less_than_equal_to(2);
9   }
10  wires {
11    group init { ... } // idx_r <- 0, acc_r <- x
12    group incr_idx {
13      add.left = idx_r.out; add.right = 2'd1;
14      idx_r.in = add.out; idx_r.write_en = 1'd1;
15      incr_idx[done] = idx_r.done;
16    }
17    group incr_st {
18      fpa.left = acc_r.out; fpa.right = step.out;
19      acc_r.in = fpa.out; acc_r.write_en = 1'd1;
20      incr_st[done] = acc_r.done;
21    }
22    group upd {
23      dest_m.write_en = 1'd1; dest_m.addr0 = 1'd1;
24      dest_m.in = acc_r.out; upd[done] = dest_m.done;
25    }
26    // Loop condition
27    comb group cond { le.left = idx_r.out; le.right = 2'd3; }
28  }
29  control {
30    seq {
31      init;
32      while le.out with cond {
33        par { incr_idx; incr_st; }
34      }
35      upd;
36    }
37  }
38 }

```

Figure 3: A Calyx component generated from Figure 2. It uses a fixed-point approximation of real values with 16 integral and fractional bits.

hardware ILs [14, 22], it explicitly encodes logical control flow using imperative *control operators*.

This section explains Calyx by showing how it compiles a simple high-level program. The program in Figure 2 implements a simple counter that iteratively increments the input, x , by four times the value of $step$, here defined as 1.0. Figure 3 lists a Calyx implementation of this function; we introduce its constructs in this section. Section 3 uses the same example to show how our proposed system, Cider, enables productive debugging of hardware accelerators.

Components. Calyx’s analog to a function definition is a *component*, which encapsulates a set of hardware resources along with a control flow description. Components have input and output *ports* that define their interface. Our counter component has an input port corresponding to the example function’s argument, x :

```

1 component counter(go: 1, x: 32) -> (done: 1)

```

Every port has a bit width. We implement the pseudocode’s *real* type with a 32-bit fixed-point number. Calyx uses one-bit *interface* ports *go* and *done* to transfer control to and from a component.

Structure. Lines 1 and 3 in Figure 2 declare variables, $dest$ and $step$. To implement these in hardware, we need a constant and a mutable memory. Calyx components instantiate subcomponents in their *cells* section (lines 2–9 of Figure 3):

```

3 dest_m = 1D_memory(32, 1);
4 step = constant(32, 32768);

```

Here, *constant* and *1D_memory* are components built into Calyx’s standard library. The *step* declaration includes a bit width (32) and a value; the *dest_m* memory specifies its element width (32) and size (1).

Groups. We next implement the *for* loop on line 4. First, the Calyx program instantiates two registers to hold the accumulated $dest_m$ value and the loop counter:

```

5 acc_r = register(32); idx_r = register(2);

```

The program also needs machinery to increment and check the loop-control register idx_r and to perform the fixed-point accumulation:

```

6 fpa = fixed_point_adder(32, 16, 16);
7 add = adder(2);
8 le = less_than_equal_to(2);

```

The fixed-point adder controls the numerical representation for $dest_m$ in the high-level program (here, 16 bits each for the integer and fraction parts). We also include the *add* and *le* comparator cells to implement the loop’s iteration.

Calyx components define *groups* which implement logical operations by wiring together their cells. Our example uses a group *incr_st* to implement the loop body, $dest_m += step$:

```

17 group incr_st {
18   fpa.left = acc_r.out; fpa.right = step.out;
19   acc_r.in = fpa.out; acc_r.write_en = 1'd1;
20   incr_st[done] = acc_r.done;
21 }

```

Calyx groups consist of simultaneous (unordered) assignments between ports. This group feeds the fixed-point adder, *fpa*, with two inputs: $acc_r.out$, the current value of the accumulator register, and $step.out$, a constant value. It then writes the sum into acc_r by setting its input port and its *write-enabled* control port, $write_en$. The final line assigns to a special *done* signal indicating when the group’s work has finished.

The Calyx implementation in Figure 3 includes a similar group *incr_idx* to increment the loop index and a *combinational* (stateless) group *cond* that uses the *le* comparator to check the loop condition. Finally, the *init* and *upd* groups initialize and finalize the state for the function. The rest of the Calyx code will use these small units of computation to implement the example’s logic.

Control. Finally, Calyx components use a *control program* to orchestrate the named groups. A component’s *control* section resembles an imperative program where the leaf statements are group names. Our example uses a *while* statement to implement the loop:

```

32 while le.out with cond {
33   par { incr_idx; incr_st; }

```

The `incr_idx` and `incr_st` statements are *group activations* that invoke the connections in the group. Calyx includes a `par` statement that runs these actions in parallel. The `while` loop runs until the `cond` group produces zero on the `le.out` port. The full program sequences loop with the initialization and clean-up groups:

```
30 seq {
31   init;
32   while ... {...}
35   upd;
36 }
```

Calyx also has a conditional statement `if` and a call-like operator `invoke` to run subcomponents.

Figure 3 lists the complete example code. The existing Calyx compiler translates this code to RTL by implementing state machines and other control logic to orchestrate the groups' assignments; for more detail, see Nigam et al. [32]. Cider debugs Calyx programs by directly executing their control programs instead of translating them to hardware.

3 DEBUGGING WITH CIDER

Figure 3 has a bug. If we use the Calyx compiler to translate it to Verilog and run it with an RTL simulator [41], it runs forever; there is an infinite loop. This section uses this buggy program as an example to demonstrate the use of our new system, Cider, in an accelerator debugging workflow.

The fact that this program runs forever would be immediately confusing to a user debugging solely from the high-level code in Figure 2. After all, the only loop in that program is a bounded `for` loop! Clearly, there has been an error in translating the high-level `for` loop into the Calyx `while` loop that realizes it. Using Cider, we can directly observe this problem.

State inspection and watchpoints. Cider includes an interpreter for the Calyx IL: it can execute the program without compiling it to RTL code first. To start the debugging process, we run the program using Cider; immediately, we see:

```
WARN - Integer overflow, source: counter.add
```

Since Verilog's integer operators silently allow overflow, the simulator issues no warning. Cider, in contrast, implements Calyx's semantics, in which implicit overflow is an error. And since all components have an explicit name, Cider can report the specific adder that produces the error.

This warning reveals that the two-bit adder responsible for incrementing the loop counter is overflowing, though it is not yet clear whether this overflowed value gets saved in the counter register. We can start Cider's interactive debugger and step through the program execution to see how the value in `idx_r`, the loop counter, changes after each execution of `incr_idx`, the only group which uses `counter.add`. Cider's *watchpoints* allow this kind of inspection:

```
idx_r.out = [00] // MSB on the left, initial val
> watch after incr_idx with print idx_r.out
> continue
idx_r.out = [01]
idx_r.out = [10]
idx_r.out = [11]
WARN - Integer overflow, source: counter.add
idx_r.out = [00]
```

Here we see how Calyx groups enable a coarser view of time. Cider knows what groups are running, which lets users inspect signals only at computationally relevant points in time. This *watch* command instructs Cider to print the value of `idx_r.out` every time the group `incr_idx` finishes executing (specified by `after`). The counter overflows after being incremented to $11_2 = 3$. On closer inspection, we notice that our condition group `cond` implements the comparison `idx_r.out ≤ 3`; however, since the maximum value representable with *two bits* is 3, the condition will always hold. To fix this issue, we can change the counter register `idx_r` to contain *three bits*. The corrected line reads:

```
5 acc_r = register(32); idx_r = register(3);
```

This demonstrates the advantage of building debugging abstractions using coarse-grained (non-cycle-based) temporal schedules. Users can step over several clock cycles of execution and focus on specific sub-circuits while debugging. In contrast, traditional RTL simulation works only at the level of clock cycles, forcing users to untangle logically unrelated signals.

Value representations and breakpoints. After fixing the overflow, we execute it again using Verilator. This time, the program finishes executing, but the output memory `dest_m` contains the value 0. Cider reports this error:

```
Error (counter.dest_m): Invalid memory access. Given index (1)
but memory has size (1)
```

Cider's runtime checks catch an invalid memory access. Again, such errors are not caught at the RTL level—out-of-bounds indexing silently yields an undefined value. `dest_m` contains exactly one element which means the only valid index into it is 0. However, the `upd` group attempts to index it using 1:

```
23 ...; dest_m.addr0 = 1'd1;
```

While an obvious bug, neither Verilator nor Icarus Verilog catch it. For example, Verilator specifies that out-of-bounds accesses are only checked when the memory size is a power of two [42]. To fix this, we can change the assignment's right-hand side to `1'd0`.

Finally, the RTL simulation terminates with this output:

```
"dest_m": [ 10000000000000000 ]
```

The value here is incorrect, but it is hard to tell when reading the bit-level representation. The value is the fixed-point representation of 2.0 whereas it should be 4.0. Fortunately, like some waveform visualizers [9], Cider can reinterpret bit-level values easily.

To debug this incorrect value, we can use breakpoints. Cider supports breakpoints that stop execution at Calyx groups. We interactively set a breakpoint on the group `incr_st`, which is responsible for incrementing the input value:

```
> break incr_st // set breakpoint on incr_st
> continue // advance until breakpoint
Breaking: counter::incr_st
> print \u.16 acc_r.out
acc_r.out = 0 // before the increment
> step-over incr_st // advance past increment group
> print \u.16 acc_r.out
acc_r.out = 0.5 // should be 1.0!
```

While the *break* and *continue* commands let us control the execution, *step-over* lets us skip logical chunks of the execution. There is no equivalent to *step-over* in RTL simulation since there is no logical time step beyond a clock cycle. Cider's *print* command supports

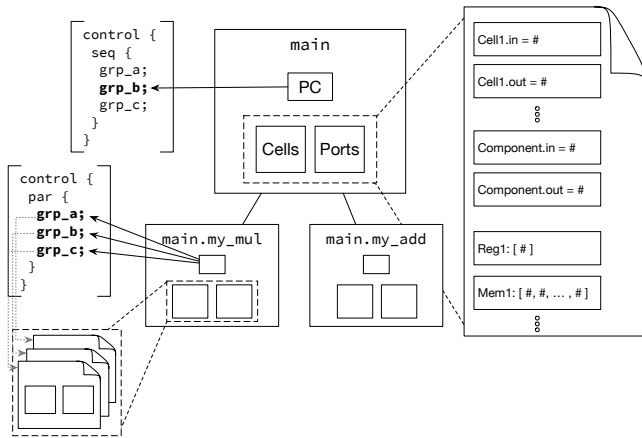


Figure 4: The Cider interpreter’s internal state tree.

formatting codes like `\u.16` to print as an unsigned fixed-point value with 16 fractional bits. We can see that, after the first execution of `incr_st`, the value in `acc_r` is 0.5 instead of 1. The likely suspect in this case is our fixed-point constant `step`. We can check this hypothesis:

```
> print \u.16 step.out
step.out = 0.5
```

Writing fixed-point constants using unsigned integers is tricky; in this case, the `step` value was incorrectly translated and needs to be shifted to the right by one. The corrected definition is:

```
4 step = constant(32, 65536);
```

Cider leverages the high-level control flow of hardware accelerators to provide software-like debugging abstractions. Unlike debugging flows for RTL or customized accelerator generators, Cider provides a generic set of tools that interact with time and state in a coarse-grained way. The key insight is that plain RTL is missing a representation of an execution schedule that delineates the larger-than-cycle steps in its execution, and it does not decompose the hardware into logical groups that permit local reasoning. Breakpoints, stepping, and watchpoints in Cider rely on the accelerator’s own custom notion of granularity: its groups define the units of work that programmers navigate through while debugging.

4 THE CIDER INTERPRETER

Cider’s execution engine is a new interpreter for Calyx programs. Its goal is to faithfully implement Calyx’s semantics with a *fail-stop* policy for undefined behavior (UB). Emitting actionable, timely errors for UB is critical for surfacing subtle problems to users. This policy is in contrast with the only other Calyx implementation, which is a compiler to Verilog that resolves Calyx’s UB in arbitrary ways to prioritize efficiency. Implementing this safe interpreter forced us to design an informal semantics for Calyx independent of compilation to hardware and make concrete decisions about ambiguities in the original language description [32].

Our interpreter consists of a *structural simulator* (Section 4.2), which executes individual groups in a setup resembling RTL simulation, and a *control simulator* (Section 4.3), which executes its

imperative control statements and uses the structural simulator as a subroutine.

4.1 Environment Model

While software languages often represent their execution environment with a call stack, heap, and program counter, circuit simulation demands different abstractions. Circuits have neither function calls nor pointers; all state exists in specific storage elements and all wires and ports are in the same execution scope. At every cycle, values on any wire or port could potentially change. Furthermore, there are no program counters because connections are always active, even if quiescent.

Cider’s environment model lies between these two extremes. As in circuit simulation, the environment contains values for all ports in the program—there is a mapping from each cell, such as a register, to its internal state. However, like software simulation, there is also a program counter and execution stack embodied in each component’s control schedule.

Figure 4 shows the environment structure: a tree of interpreter environments where the parent-child relationship is structural containment. A child node is a subcomponent of the parent node. A component’s local environment defines a mapping from each port to a value and from each cell to its internal state, if any. The program counter points to the currently active group in the component’s control program. The environment handles `par` blocks by duplicating the program counter and environment mappings, allowing each “thread” to execute in its own parallel world (Section 4.3).

4.2 Structural Simulation

Cider’s structural simulator is its engine that executes *individual Calyx groups*, ignoring control statements. As Figure 3 illustrates, each group is an unordered set of simultaneous assignments to ports. Interpreting a group therefore resembles classic RTL simulation [6, 17]: the interpreter can treat the assignments as dataflow “wires” that propagate values between cells. Structural simulation takes the form of two nested loops: an inner loop that executes assignments within a single cycle, and an outer one that iterates across cycles.

The inner *stabilization loop* iteratively executes all assignments until the port values stop changing. Components that represent combinational logic, such as adders, update their output ports based on their input ports. Calyx assumes assignments are *non-conflicting*, so Cider raises an error if multiple assignments drive the same port (Section 4.5). When the stabilization loop converges, a clock cycle has completed and the outer *simulation loop* progresses, updating cell state in sequential elements such as registers. The simulation loop runs until the group’s done condition becomes true. Both loops recursively evaluate subcomponents, traversing the environment tree (see Figure 4) to update the state in each cell’s children.

This structural simulation strategy intentionally uses a basic form of classic hardware simulation for clarity; Cider’s novelty stems from the way it orchestrates structural simulation through control. We expect that more advanced hardware simulation techniques could apply analogously to Cider’s structural simulator to improve its performance [7, 43].

4.3 Control Simulation

Cider’s *control simulator* executes Calyx’s control programs (lines 29–35 in Figure 3). It resembles interpreters for any imperative language and delegates group execution to the structural simulator. For example, it executes Calyx’s `seq` statement by recursively executing each child statement to update the environment in turn. The `invoke` statement transfers control to a subcomponent’s control program and waits for it to finish. Other control operators like `if` and `while` work similarly.

The exception is `par`, which runs several statements in parallel. The interpreter simulates parallelism by advancing the child statements together, one cycle at a time. The original Calyx paper [32] left the precise semantics of parallelism largely undefined. In practice, the compiler offers no guarantees about the relative timing between simultaneous arms of a `par` block. As a result, data races—two accesses, at least one of which is a write, to the same value in different arms of a `par` statement—yield undefined behavior. Cider detects races and yields an error. It executes each child of a `par` statement with a separate copy of the initial environment. Figure 4 illustrates a `par` statement in `main.my_mul` that yields three of these “parallel universe” environments. When the `par` finishes, it merges the copies while detecting conflicting updates to signal errors on races.

4.4 Primitive Simulation

Calyx programs can use black-box RTL modules by defining their interfaces using a `primitive` definition. Cider implements high-level behavioral models for a set of core primitives. These primitives appear at the leaves of the interpreter’s environment tree (see Figure 4). Primitives interact with the interpreter through *combinational* and *stateful* interfaces. The combinational interface interacts with the stabilization loop to describe how to compute output values based on input values. The stateful interface lets components store internal state on iterations of the simulation loop. A single component may use both interfaces: for example, a memory may implement combinational reads and sequential writes.

Cider’s primitive models differ from their Verilog implementation by prioritizing fail-stop behavior for UB. For example, arithmetic primitives can signal warnings or errors on numerical overflow. While overflow has truncation semantics in RTL, it is an error in Calyx—surfacing these errors can help identify problems with numerical representations.

4.5 Undefined Behavior

Unlike a compiler, a debugger must predictably simulate incorrect programs. We identify several categories of UB in Calyx and resolve them predictably to aid debugging.

Undriven signals. Reading a port that has not been written is UB in Calyx. HDL simulators typically model these undriven signals with *multi-value logic*, using special values like “X” or “Z” in place of concrete 1s and 0s. These special values can have counterintuitive semantics [40] and have no source-level interpretation. Cider, like the Calyx compiler’s existing Verilog backend, uses 0 for all undriven signals.

Table 1: Commands supported by Cider.

Command	Description
<code>break [grp]</code>	Create a breakpoint at group
<code>step-over [grp]</code>	Advance the execution over a given group
<code>step [n]</code>	Advance the execution by n steps (defaults to 1)
<code>watch [grp] [prt]</code>	Watch a given group with a print statement
<code>continue</code>	Continue till next breakpoint
<code>display</code>	Display the full state
<code>print [fmt]</code>	Print target value. <code>fmt</code> code describes how to interpret the value
<code>print-state [fmt]</code>	”
<code>where</code>	Displays the current program location. Uses source metadata if present; otherwise shows Calyx program
<code>(dis)enable</code>	Disable/Enable target breakpoint

Parallel conflicts. Calyx has DRF0 semantics [3]: data races between different arms of a `par` statement have undefined behavior. The compiler is therefore free to choose any relative timing among groups of parallel threads, including running them sequentially. To avoid unpredictable results from racy code, Cider implements race detection to signal an error when different `par` arms issue conflicting assignments to the same signals.

Intra-group conflicts. Calyx defines multiple active drivers to the same port as an undefined behavior. This snippet of a Calyx group contains two *guarded* Calyx assignments—such assignments are only active when their conditional is true:

```
r.in = cond_a ? 32'd5;
r.in = cond_b ? 32'd7;
```

If `cond_a` and `cond_b` are simultaneously true then these two assignments will both write distinct values to the same port and Cider will raise an error.

Loop trip-count bounds. Calyx programs use the attribute `@bound` to provide loop trip counts for `while` statements. This attribute provides static information about the number of iterations a loop will conduct, which results in more efficient Calyx lowering. Disagreements between this annotation and the actual loop logic can cause miscompilation. Cider validates the loop bound by tracking the loop iteration count.

Invalid memory indexing. Out-of-bounds memory accesses are UB in Calyx. Whereas RTL simulators silently yield default values for invalid indices [2], Cider eagerly signals an error.

5 DEBUGGING INFRASTRUCTURE

We build Cider’s debugging mechanisms on top of its interpreter from the previous section. Cider can execute any Calyx program, but is most powerful when debugging high-level Calyx programs—those with complex control programs and many fine-grained groups. Cider exploits this control information in accelerators generated by higher-level languages and cannot recover this information from arbitrary RTL code.

5.1 Interactive Steppable Execution

RTL simulators can only advance, or step, the program in clock-cycle increments, if they support interactive execution at all: waveform debugging typically works in batch mode. Cider provides a more software-like debugging experience with manual control

over program advancement and commands to display the *current* program counters (or source locations, see Section 6). Cider accomplishes this with a coarser-grained notion of a program step built using the control program and group abstraction in Calyx.

Two central constructs in Cider are a *step-over* command that advances execution past the current group and a lower-level *step (cycle)* for finer-grained inspection of a group’s execution. Stepping over lets users examine computation in logical steps that are larger than a single cycle. Even functionally simple groups can take multiple cycles: a multiplication, for instance, might take 3 cycles each time it runs. Being able to step over such a computation means the user can think of it in terms of input/output behavior—the same way we think of functions in software—and only resort to cycle-level timing when necessary. Additionally, users can focus on the set of active groups to understand where bugs may arise instead of having to look at the entire state of the circuit every cycle.

This section describes the three debugging mechanisms in Cider that build on the interpreter and these core constructs: breakpoints, state inspection, and watchpoints.

5.2 Breakpoints

RTL simulators generally do not support breakpoints since there is no discrete computational unit to break on. For example, setting a breakpoint on a line is unlikely to be helpful because, in general, assignments “run” every cycle. This is true even in the presence of conditional blocks in RTL, which compile into multiplexers and thus always compute all their inputs. Worse, a conditional statement in a high-level language is unlikely to correspond to an `if` statement in Verilog, making the relationship with source code hard to track.

In contrast, Calyx’s groups present a natural opportunity to implement breakpoints since they represent discrete computational blocks that the control program schedules. Cider supports setting breakpoints on any group in the Calyx program and provides a *continue* command that advances the execution until it hits a breakpoint or the end of the program.

Breakpoints and *continue* let the user skip program segments that they know to be behaving correctly and keep their attention on potential error sources. As a result, Cider can reduce the signal-to-noise ratio in the debugging experience. This listing shows a simple interaction:

```
> break conv2d:upd20
> continue
Hit breakpoint: conv2d::upd20
> print-state main.conv2d.k1
k1 = [00000000000000000000000000000000]
> step-over conv2d:upd20
> print-state main.conv2d.k1
k1 = [00000000000000000000000000000001]
```

This snippet uses a breakpoint and the *step-over* and *print-state* commands on a subcomponent’s group to inspect the state update it performs. This prints out the internal state associated with the register `k1` in the `conv2d` component.

Breakpoints are set on component definitions—the global declaration of a component’s behavior—rather than instances, akin to how software debuggers place breakpoints in function definitions rather than specific calling contexts. This means that if there are multiple instances of a single component, any of these instances will trigger the breakpoint.

5.3 State Inspection

The state of a circuit consists of the bit values on each port and wire. While some waveform viewers [9] support custom formats, waveforms generated by RTL simulations usually make this data available in the form of unsigned integers in binary, decimal, or hexadecimal representations. However, designing high-performance accelerators requires using custom data formats, such as fixed-point numbers.

Cider supports two commands for printing data: *print*, which prints out the value on a port, and *print-state*, which prints the value stored in stateful primitives like registers. They support format codes which can reinterpret bit values as unsigned or signed fixed-point or decimal numbers. These two commands show two different formats for the same value:

```
> print \u div.out_quotient
div.out_quotient = 424967279
> print \s div.out_quotient
div.out_quotient = -17
```

The format codes `\u` and `\s` represent data as unsigned or signed integers. To use a fixed-point format, we can specify the number of bits in the fractional part. For example, `\u.16` formats the port as an unsigned fixed-point number that uses 16 bits for its fractional part.

5.4 Watchpoints

Watchpoints are a common command provided by software debugging tools. Unlike breakpoints, watchpoints do not interrupt the execution of the program and instead just print out the value of a particular port. Watchpoints are particularly useful when the user wants to understand how a value changes throughout execution:

```
> watch incr with print-state \u i
> continue
i = 0 i = 1 i = 2 i = 3 ...
```

This compressed snippet uses a watchpoint to track the value of a loop counter over the life of a simple program.

Cider supports watchpoints that trigger at the start or end of a group’s execution by desugaring them into a breakpoint, *print*, and *continue* command (or a breakpoint, *step-over*, *print*, and *continue* for watchpoints attached *after* a given group). Cider provides both options to streamline the observation of a group’s effects. Because watchpoints track individual ports or cells, they provide a narrow lens for spatial bug localization, which is ideal for determining if a specific piece of logic is incorrect.

6 SOURCE-LEVEL DEBUGGING

While Cider’s core machinery implements steps at the level of Calyx IL control statements, it can use these steps to provide *source-level* stepping through frontend language constructs. Cider provides a flexible way to associate Calyx-level positions with source-level positions. We introduce Cider’s source position tracking using Dahlia [31], a loop-based imperative language that compiles to Calyx, as an example.

Figure 5 lists an example Dahlia program that doubles the elements of an array. We modify the Dahlia compiler to attach source-position metadata to the IL via Calyx’s metadata *attributes*. An attribute `@pos(n)` marks a control statement with an integer tag *n*.

```

decl x_int: ubit<32>[8];
decl y_int: ubit<32>[8];

// Iteratively double value in array x and write it into y
for (let k: ubit<4> = 0..8) {
  y_int[k] := x_int[k] * 2;
}

```

Figure 5: Dahlia code to double the elements of an array.

We also generate a table that maps each tag to a source position. For our example, the Dahlia compiler emits this Calyx control program:

```

control {
  seq {
    @pos(0) let0;
    @bound(8) while le0.out with cond0 {
      seq {
        @pos(1) upd0;
        let1;
        upd1;
        @pos(0) upd2;
      }}}
}

```

And an embedded metadata table:

```

metadata # {
  0: for (let k: ubit<4> = 0..8) {
  1:  y_int[k] := x_int[k] * 2;
}#

```

The @pos tags attach a source position number to leaf nodes in the control program and the metadata table associates each of these with a source position. Tags need not be unique; in this example, let0 and upd2 have the same tag because they both map to logic that realizes the for loop in Figure 5. Some groups are missing @pos tags because they represent intermediate computations without direct correspondence in the source code.

Cider’s where command (Table 1) uses the attributes and position table to display the source location for active control statements:

```

> where
y_int[k] := x_int[k] * 2;

```

Multiple locations may be active simultaneously because of parallelism in the design; Cider reports all active positions.

Dahlia’s imperative control maps easily to Calyx’s control operators. To demonstrate Cider’s flexibility, we encode source-level information for a more esoteric frontend language, the systolic array generator.

Systolic array generator. Calyx’s systolic array frontend differs from other frontends because its input does not have source positions in a typical sense. The input is a declarative description of a systolic grid of processing engines (PEs) that collectively compute a single linear-algebra operation. Cider’s flexible source-position debugging can nonetheless convey high-level information about the computation’s control flow.

We modify this frontend to generate metadata describing the progress within each PE. The compiler attaches @pos tags to Calyx invoke statements that advance PEs. Due to the design’s inherent parallelism, multiple positions are active at a time:

```

> where
pe 0,1: running iteration 2
pe 1,0: running iteration 2
pe 0,2: running iteration 2 ...

```

7 CASE STUDIES

We demonstrate Cider using bugs in two case studies: Section 7.1 uses the preexisting Dahlia-to-Calyx compiler [32], and Section 7.2 uses a new TVM-to-Calyx compiler.

7.1 Dahlia Compiler

Dahlia [31] is a loop-based language that uses a novel type system to guarantee that the generated hardware does not have conflicting memory accesses. Like other high-level synthesis tools, Dahlia supports loop unrolling and memory partitioning to express DOALL parallelism. We use the open-source Dahlia-to-Calyx compiler to study the implementation of Polybench [28] and other kernels reported in Nigam et al. [32].

Parallel writes to memories. Dahlia’s unroll keyword unrolls loops to parallelize computation by duplicating hardware. The Calyx backend for Dahlia relies on the type checker’s guarantee that unrolled loops do not create memory conflicts. However, when executing some of the Dahlia benchmarks, Cider discovers this error:

```

Error: parallel assignments not disjoint: alpha.addr0
1. [0] 2. [0]

```

This message indicates a parallel conflict (Section 4.5), meaning multiple groups are attempting to write to the same port in parallel. We can debug this error by looking at individual groups that write to alpha.addr0. Unlike RTL debugging, we do not have to look at every assignment to alpha.addr0 since only groups that are in a parallel statement can cause this error. The two offending groups are these:

```

group upd31 { alpha.addr0 = 1'd0; .. } // Conflict
group upd32 { alpha.addr0 = 1'd0; .. } // Conflict
control { par { @pos(117) upd31; @pos(117) upd32; } .. }

```

As Section 4.5 describes, the parallel writes to alpha.addr0 are illegal. The position tags help identify the corresponding source line in Dahlia, in turn allowing us to localize and confirm the bug.¹

An alternative to Cider in this case is instrumenting RTL to catch multiple writes. We implement this strategy also by modifying the Calyx Verilog backend. While this technique does let Verilog simulation catch this conflict, it remains challenging to map it back to the source-level Dahlia program since parallel assignments in Verilog do not correspond one-to-one with statements in the original Dahlia.

Parallel scheduling bugs. Next, we found a bug in the implementation of a softmax kernel in the Calyx test suite:

```

Error: parallel assignments not disjoint: x_0.in
1. [0000] 2. [1101]

```

Cider detects another parallel write bug which is, surprisingly, not caught by the above Verilog-level checks:

```

par {
  let1;
  seq { let2;
    while le1.out with cond1 { seq { upd0; upd1; }}}
}

```

The groups let1 and upd1 write different values to the same register x_0. Verilog simulation checks do not catch this bug because the *particular* compilation strategy used by the compiler schedules

¹<https://github.com/cucapra/dahlia/issues/384>

the two groups in a non-conflicting manner; any change to the compilation scheme might trigger the run-time assertion. This is the key difference between Cider’s checks and the checks in Calyx’s RTL backend—the latter can only find problems in a particular RTL realization of a Calyx program, while the former operates with Calyx’s semantics.

7.2 TVM-to-Calyx Compiler

TVM [11] is an open-source machine learning compiler. We built a TVM-to-Calyx compiler to test Cider’s efficacy at debugging large accelerators. Our compiler generates Dahlia kernels from TVM’s Relay IR [36], lowers them to Calyx, and stitches them together to implement complete neural networks. This frontend generates large, fixed-function implementations of DNNs. We do not claim that the accelerators are competitive or even practical to realize on an FPGA; we focus here on their correctness in simulation.

For our case study, we simulate a TVM implementation of the LeNet network [26] compiled to Calyx. GPU-based execution of this kernel uses floating-point operations that are too expensive for FPGAs; we instead use a fixed-point approximation. Because of this representation mismatch, we *expect* the Calyx program’s output to differ numerically from TVM’s, which makes silently propagating RTL bugs hard to recognize and localize. While our quick spot tests on a few inputs with the Calyx code seem to work, our experience with the Dahlia case study suggests that RTL semantics are too relaxed to catch subtle bugs. We instead use Cider to catch possible problems in the design.

Source locations. First, we extend the TVM backend to generate source location information to aid debugging. The compiler generates a new component for each TVM operation and uses the `invoke` operator to call them in the main component. Since each `invoke` has a direct correspondence in the TVM source, we attach a unique `@pos` tag for each one:

```
control {
  @pos(0) invoke conv2d_1x20x24x24_(..)(..);
  @pos(1) invoke bias_add_1x20x24x24_(..)(..); .. }
```

And generate the corresponding metadata table:

```
metadata #{
  0: let %x: Tensor[...] = nn.conv2d(%data, ..);
  1: let %x1: Tensor[...] = nn.bias_add(%x, ..); }#
```

Out-of-bounds access. Cider immediately reports an out-of-range memory access when we run the kernel:

```
Error (main.data): Invalid memory access. Given index (0, 1, 0,
0) but memory has dimension (1, 1, 28, 28)
```

The error states that in a four-dimensional memory, the second dimension has size 1 but is being accessed with an out-of-bounds index 1. Unlike RTL simulators, Cider treats this as a hard error (Section 4.5). The debugger points to the `main.data` memory cell, which is only used by the first component, a two-dimensional convolution kernel.

The likely cause of this bug is an invalid loop nest. We investigate the second index to the memory, which is driven by a loop counter called `k1`. Setting a watchpoint at the beginning of the appropriate inner loop, we see:

```
> watch conv2d::let16 with print-state \u conv2d.k1
```

```
> continue
k1 = 0
k1 = 1 // Should not occur
Error: ...
```

Cider shows us that the inner loop runs multiple times, causing the index to overflow. We investigate the loop-entry condition which, checks if the value of `k1` is less than or equal to `const30.out`:

```
> print \u conv2d.const30.out
const30.out = 19
```

The TVM-to-Calyx compiler generates incorrect loop bounds, running 20 times instead of once. We track the bug back to a function that incorrectly takes a default value instead of computing the loop bound for the convolution kernel. After fixing this bug in the TVM compiler, this inner loop only runs once, and the error disappears.

Fixed-point overflow. Rerunning the LeNet kernel through Cider reports a new warning:

```
WARN - Overflow in fixed-point multiplier:
81117.5903007190208882 to 15581.5902862548828125
source: softmax.pow1.mul
```

All numerical approximation should be explicit—it should not arise from implicit overflow. This is a hardware-specific bug; it does not arise in the original (floating-point) TVM code.

In this case, the warning comes from an exponentiation component in the final softmax layer. The component computes e^x , and it overflows on large inputs x . We fix the bug by modifying the softmax kernel to normalize the inputs it provides to the exponentiation component. In pseudocode:

```
def softmax(v: List[float]): List[float]
  e = exp(v - max(v))
  return e / sum(e)
```

Numerical approximation is crucial for high-performance hardware accelerators but challenging to debug for traditional RTL simulators. They cannot quickly localize such problems because the same fixed-point multiplier could be time-multiplexed and used by multiple parts of the circuit. Additionally, they silently propagate overflow errors since they do not consider overflows anomalous. By implementing Calyx’s higher-level semantics, Cider imposes stronger restrictions on program behavior to aid design of computational accelerators.

8 PERFORMANCE EVALUATION

Performance is important for a productive debugging workflow. To complement our qualitative case studies that demonstrate Cider’s ability to help find bugs, this section quantitatively measures its performance. We answer these questions:

- Does simulating Calyx programs with high-level control flow improve performance?
- How does Cider compare to state-of-the-art RTL simulators?
- Can Cider scale up to large accelerator designs?

We compare Cider against two open-source RTL simulators: Verilator [41] and Icarus Verilog [44]. Verilator simulates Verilog programs by first compiling them to C++, whereas Icarus Verilog acts as an interpreter. Cider is not heavily optimized and does not seek to outperform these RTL simulators; our evaluation seeks to understand the fundamental performance impact of exploiting control information.

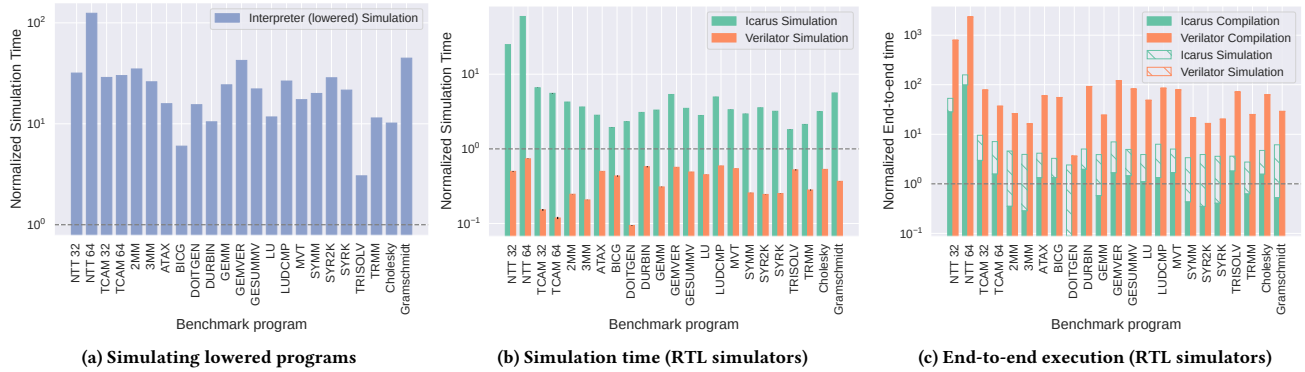


Figure 6: Performance study for Cider. Simulation times are normalized to Cider simulation on high-level Calyx programs.

We also compare Cider when running high-level vs. low-level Calyx programs. The existing open-source Calyx compiler [32] lowers the control-heavy Calyx programs emitted by compiler frontends to a control-free form that closely resembles RTL (see Figure 1). Comparing these two forms lets us directly measure the performance impact of Calyx’s control information that is lost during compilation to RTL.

Our benchmarks consist of the Polybench kernels [28] written in Dahlia [31], a Calyx implementation of a ternary content addressable memory (TCAM) for packet processing, and code from a Calyx-generating Number Theoretic Transform (NTT) compiler frontend. The NTT and TCAM variants have one program with 32 elements/writes and one with 64. We run each benchmark ten times and take the average.

We run all experiments on a server with 512 GB of RAM, dual-socket Xeon Gold 6230 processors for a total of 20 cores at 2.10 GHz, running Ubuntu 20.04 LTS. We use g++ 7.5.0, Icarus Verilog v11.0, and Verilator v4.220. We run the simulators with their default options, so Verilator produces a single-threaded C++ program. Cider does not produce a trace, so we configure the simulators to behave accordingly. We compile Verilator with the `--trace` flag but run without setting `Verilated::traceEverOn` so it does not generate a trace. We implement Cider in Rust and compile it with rustc 1.60.0 (7737e0b5c); it is also single-threaded.

8.1 Benefits of High-Level Control

Figure 6a compares Cider’s execution time when running high-level Calyx programs, as emitted by frontends, against the same programs when compiled to fully structural (RTL-like) Calyx code. Cider can exploit control information in high-level programs that is lost in the equivalent lowered code, which forces Cider to simulate the entire design on every cycle. High-level simulation is 20× faster on average than structural simulation. For our benchmark with the largest control program, NTT-64, high-level simulation is 124× faster.

8.2 Comparison to Verilog Simulation

Figure 6b shows the simulation time only (not counting startup time) for Verilator and Icarus Verilog normalized against Cider.

Table 2: LeNet execution time and slowdown w.r.t. Verilator.

Tool	Compilation (sec.)	Simulation (min.)	Slowdown
Icarus	0.3	215.04 ± 1.89	27.9×
Cider	—	26.05 ± 0.06	3.4×
Verilator	16.5	7.71 ± 0.008	—

Icarus Verilog is an interpreter, like Cider, and therefore starts up quickly but simulates large designs less efficiently. Verilator translates Verilog to C++ and relies on a standard C++ compiler, so it incurs a long startup time but simulates more efficiently. In simulation only, Verilator outperforms Cider by 2.9× while Cider outperforms Icarus Verilog by 4.2×. For the largest benchmark, NTT-64, Verilator is 1.4× faster than Cider and Cider is 59× faster than Icarus Verilog.

We hypothesize that Cider’s performance advantage over Icarus Verilog stems from its ability to skip executing inactive parts of the program. High-performance RTL simulators also avoid re-executing subcircuits whose inputs do not change, but this change tracking comes with its own overheads that Cider can sidestep.

However, an accurate reflection of a programmer’s experience must incorporate startup time. Modular compilation often does not help with high-level accelerator generators, which typically regenerate the entire RTL design on every change. Figure 6c shows the end-to-end running time, counting both compilation and simulation time. In all cases, Cider finishes simulation before Verilator finishes compilation. On average, Cider’s simulation is 53× faster than Verilator’s compilation phase. This short end-to-end loop makes Cider helpful for fast design iteration.

8.3 Scalability: LeNet Benchmark

In our final quantitative study, we measure how well Cider scales to larger accelerator designs. We run the LeNet benchmark from our TVM-to-Calyx compiler case study (Section 7.2), which is 3,598 lines of high-level Calyx across 17 components. Table 2 summarizes the execution time for this benchmark under the three tools: Cider is 8.3× faster than Icarus Verilog, while Verilator outperforms Cider by 3.4×. Verilator’s up-front compilation pays off, but Cider’s advantage over Icarus Verilog suggests that high-level control information still significantly reduces the total work required.

9 RELATED WORK

The mainstream tools for debugging hardware designs are register-transfer level (RTL) simulation [41, 44, 47] and waveform visualization [9]. As Section 2.1 describes, RTL simulation produces detailed, cycle-by-cycle traces for every signal in a design. This granularity can make it difficult to reconstruct the logic of a high-level accelerator description, which is Cider’s focus. Cider’s primary difference is in the way it exploits coarse-grained temporal information that can illuminate when and where a bug arises.

Some work accelerates simulation using field-programmable gate arrays (FPGAs) by incorporating special debugging logic such as scan chains [39] or using vendor-specific tools to monitor FPGA execution [21, 45]. Recent work [4, 37] addresses the latency of FPGA compilation using a JIT-like method where designs start in software simulation and then migrate individual modules to faster FPGA emulation. While FPGA-accelerated debugging is fast, it still works on RTL descriptions and does not map to high-level language semantics.

Recently, Ma et al. [29] taxonomized RTL bugs found in open-source Verilog code and proposed instrumentation techniques to help detect these patterns. These bugs and tools reflect mistakes in manual RTL design, whereas this paper focuses on supporting high-level languages that *generate* hardware. Ma et al.’s tools focus on detecting particular bug patterns rather than on general-purpose interactive exploration.

Cuttlesim [34] implements software-like debugging for Kôika [8], a Bluespec-like HDL, by generating human-readable C code and relying on an off-the-shelf software debugger. It lets programmers observe the application of Kôika’s *rules*, which are sub-cycle units of hardware logic. Cider, in contrast, focuses on stepping through Calyx’s control operators, which are much higher level and can encapsulate many clock cycles. Whereas Kôika and Cuttlesim are suited to manually designing arbitrary hardware such as processors, Calyx and Cider focus on debugging computational accelerators that are automatically generated from high-level languages.

HGDB [48] uses RTL simulation to provide source-level debugging for RTL generators such as Chisel [5]. Like Cuttlesim, HGDB focuses on low-level RTL design, not on high-level languages with software-like control flow.

Some tools for *high-level synthesis* (HLS) C-to-RTL compilers share Cider’s goal of source-level debugging. Proposals include generating special cycle-level models as part of HLS compilation [12, 30], instrumenting the generated RTL to output position information [10, 16, 27], or pushing source position information through the compiler stack [18]. Such tools are tied to specific HLS input languages; they do not provide a flexible framework for debugging arbitrary input languages. Because they rely on imperative input languages, they are poorly suited to more unconventional domain-specific frontends like Calyx’s systolic array generator.

10 CONCLUSION

A new generation of higher-level programming models should inspire modern tooling that raises the level of abstraction for development, debugging, and deployment of hardware accelerators. Traditional HDL tools are not up to the challenge. The CIRCT project [35] for incubating an ecosystem of interoperable hardware

generation IRs has recently included a Calyx MLIR dialect as one of the steps in their compilation flow from high-level machine learning programs to hardware. This both broadens the ecosystem that can take advantage of Cider and suggests a wide audience for similar tools. Cider shows how tools can exploit the computational structure that undergirds accelerators to organize time and information and thus build better mechanisms for understanding their execution.

ACKNOWLEDGMENTS

We thank Andrii Iermolaiev, YoungSeok Na, and Alma Thaler for their contributions to the implementation of Cider’s interpreter. Alexa VanHattum, Drew Zagieboylo, Owolabi Legunsen, and Ryan Doenges generously provided feedback on early drafts of this paper. We also thank the anonymous reviewers and our shepherd for their feedback.

This work was supported in part by the Center for Applications Driving Architectures (ADA), one of six centers of JUMP, a Semiconductor Research Corporation program co-sponsored by DARPA. It was also supported by the Intel and NSF joint research center for Computer Assisted Programming for Heterogeneous Architectures (CAPA). Support also included the Google Research Scholar Program and NSF awards #1845952, #1723715, and #2124045.

A ARTIFACT APPENDIX

A.1 Abstract

This artifact consists of one piece of software, the Cider Interpreter and Debugger for Calyx, alongside data and helper scripts. The artifact is archived at: <https://zenodo.org/record/7222728>

We have also published a pre-built Docker image with all the requisite dependencies.

A.2 Artifact check-list (meta-information)

- **Binary:** All binaries are included in the Docker image.
- **Run-time environment:** Requires Docker *or* the following in a Unix environment:
 - rustc 1.60.0
 - Verilator 4.220
 - Icarus Verilog 11.0
 - Dahlia from commit [fa7abb016b](#)
 - Calyx (fud, futil, and interp) from commit [195b0a5eca](#)
 - Python 3, including pip
 A full package list is in the artifact’s README.
- **Metrics:** Execution time
- **Output:** The figures shown in the paper
- **Experiments:** Scripts are provided for running the experiments
- **How much disk space required?:** 40 GB
- **How much time is needed to prepare workflow?:** 1 hour
- **How much time is needed to complete experiments?:** 24–36 hours

A.3 Description

A.3.1 How to Access. The artifact is available in two forms:

- A Docker image with all artifacts installed
- Source code, from a GitHub repository

The instructions for both approaches are online at: <https://github.com/cucapra/cidr-evaluation>

To install locally and run the scripts, follow the instructions in the README.md file at the root of the repository.

A.4 Installation

For non-containerized installation, follow the instructions in the README referenced above. Or, use the Docker image linked there.

A.5 Evaluation and expected results

This artifact seeks to reproduce the benchmark results discussed in our performance evaluation as well as the debugging process in Section 3. These are:

- **Benchmark Data and Graph Generation:** Generate the graphs found in the paper using pre-supplied data:
 - Core benchmark graphs (Figure 6)
 - LeNet comparison (Table 2)
- **Benchmark Correctness for each Simulator**
- **Data Collection**
 - Collect timing data for the full benchmark suite
 - Generate new graphs and tables from the collected data
- **Optional: Interactive Debugging with Cider.**
 - Debug the sample program with Cider (Section 3)

A.6 Methodology

Submission, reviewing, and badging methodology.

REFERENCES

- [1] 2006. IEEE Standard for Verilog Hardware Description Language. *IEEE Std 1364-2005 (Revision of IEEE Std 1364-2001)* (2006).
- [2] Accellera. 2004. SystemVerilog 3.1a Language Reference Manual.
- [3] Sarita V. Adve and Mark D. Hill. 1990. Weak Ordering—a New Definition. In *International Symposium on Computer Architecture (ISCA)*.
- [4] Sameh Attia and Vaughn Betz. 2020. StateMover: Combining simulation and hardware execution for efficient FPGA debugging. In *International Symposium on Field-Programmable Gate Arrays (FPGA)*.
- [5] Jonathan Bachrach, Huy Vo, Brian Richards, Yunsup Lee, Andrew Waterman, Rimas Avizienis, John Wawrzynek, and Krste Asanović. 2012. Chisel: constructing hardware in a Scala embedded language. In *Design Automation Conference (DAC)*.
- [6] Zeev Barzilay, J Lawrence Carter, Barry K Rosen, and Joe D Rutledge. 1987. HSS—a high-speed simulator. *IEEE Transactions on Computer-Aided Design of Integrated Circuits and Systems* (1987).
- [7] Scott Beamer and David Donofrio. 2020. Efficiently exploiting low activity factors to accelerate RTL simulation. In *Design Automation Conference (DAC)*.
- [8] Thomas Bourgeat, Clément Pit-Claudel, Adam Chlipala, and Arvind. 2020. The Essence of Bluespec: A Core Language for Rule-Based Hardware Design. In *ACM SIGPLAN Conference on Programming Language Design and Implementation (PLDI)*.
- [9] Anthony Bybell. 2021. GTKWave. <http://gtkwave.sourceforge.net>.
- [10] Nazanin Calagar, Stephen D. Brown, and Jason H. Anderson. 2014. Source-level debugging for FPGA high-level synthesis. In *International Conference on Field-Programmable Logic and Applications (FPL)*.
- [11] Tianqi Chen, Thierry Moreau, Ziheng Jiang, Lianmin Zheng, Eddie Yan, Haichen Shen, Meghan Cowan, Leyuan Wang, Yuwei Hu, Luis Ceze, Carlos Guestrin, and Arvind Krishnamurthy. 2018. TVM: An automated end-to-end optimizing compiler for deep learning. In *USENIX Symposium on Operating Systems Design and Implementation (OSDI)*.
- [12] Young-Kyu Choi, Yuze Chi, Jie Wang, and Jason Cong. 2020. Flash: Fast, parallel, and accurate simulator for HLS. *IEEE Transactions on Computer-Aided Design of Integrated Circuits and Systems* (2020).
- [13] J. Cong and J. Wang. 2018. PolySA: Polyhedral-Based Systolic Array Auto-Compilation. In *IEEE/ACM International Conference on Computer-Aided Design (ICCAD)*.
- [14] Ross Daly, Lenny Truong, and Pat Hanrahan. 2018. Invoking and Linking Generators from Multiple Hardware Languages using CoreIR. In *Second Workshop on Open-Source EDA Technology (WOSET)*.
- [15] David Durst, Matthew Feldman, Dillon Huff, David Akeley, Ross Daly, Gilbert Louis Bernstein, Marco Patrignani, Kayvon Fatahalian, and Pat Hanrahan. 2020. Type-Directed Scheduling of Streaming Accelerators. In *ACM SIGPLAN Conference on Programming Language Design and Implementation (PLDI)*.
- [16] Jeffrey Goeders and Steven JE Wilton. 2014. Effective FPGA debug for high-level synthesis generated circuits. In *International Conference on Field-Programmable Logic and Applications (FPL)*.
- [17] Craig Hansen. 1988. Hardware logic simulation by compilation. In *Design Automation Conference (DAC)*.
- [18] K Scott Hemmert, Justin L Tripp, Brad L Hutchings, and Preston A Jackson. 2003. Source level debugger for the Sea Cucumber synthesizing compiler. In *Field-Programmable Custom Computing Machines (FCCM)*. IEEE.
- [19] Yann Herklotz, Zewei Du, Nadesh Ramanathan, and John Wickerson. 2021. An Empirical Study of the Reliability of High-Level Synthesis Tools. In *Field-Programmable Custom Computing Machines (FCCM)*.
- [20] Intel. 2021. *Intel High Level Synthesis Compiler*. Retrieved January 16, 2021 from <https://www.altera.com/products/design-software/high-level-design/intel-hls-compiler/overview.html>
- [21] Intel. 2021. *Intel Signal Tap II*. Retrieved November 19, 2021 from https://www.intel.com/content/www/us/en/programmable/quartushelp/13.0/mergedProjects/program/ela/ela_view_using.htm
- [22] Adam M. Izraelevitz, Jack Koenig, Patrick Li, Richard Lin, Angie Wang, Albert Magyar, Donggyu Kim, Colin Schmidt, Chick Markley, Jim Lawson, and Jonathan Bachrach. 2017. Reusability is FIRRTL ground: Hardware construction languages, compiler frameworks, and transformations. In *IEEE/ACM International Conference on Computer-Aided Design (ICCAD)*.
- [23] David Koepfinger, Matthew Feldman, Raghu Prabhakar, Yaqi Zhang, Stefan Hadjis, Ruben Fiszel, Tian Zhao, Luigi Nardi, Ardavan Pedram, Christos Kozyrakis, and Kunle Olukotun. 2018. Spatial: A language and compiler for application accelerators. In *ACM SIGPLAN Conference on Programming Language Design and Implementation (PLDI)*.
- [24] Yi-Hsiang Lai, Yuze Chi, Yuwei Hu, Jie Wang, Cody Hao Yu, Yuan Zhou, Jason Cong, and Zhiru Zhang. 2019. HeteroCL: A Multi-Paradigm Programming Infrastructure for Software-Defined Reconfigurable Computing. In *International Symposium on Field-Programmable Gate Arrays (FPGA)*.
- [25] Chris Latner and Vikram Adve. 2004. LLMV: A Compilation Framework for Lifelong Program Analysis & Transformation. In *International Symposium on Code Generation and Optimization (CGO)*.
- [26] Yann LeCun, Bernhard Boser, John S Denker, Donnie Henderson, Richard E Howard, Wayne Hubbard, and Lawrence D Jackel. 1989. Backpropagation applied to handwritten zip code recognition. *Neural computation* (1989).
- [27] LegUp developers. 2015. LegUp High-Level Synthesis: Debugging. <http://legup.eecg.utoronto.ca/docs/4.0/debug.html>
- [28] Louis-Noel Pouchet. 2021. *PolyBench/C: The Polyhedral Benchmark Suite*. Retrieved January 16, 2021 from <http://web.cse.ohio-state.edu/~pouchet.2/software/polybench/>
- [29] Jiacheng Ma, Gefei Zuo, Kevin Loughlin, Haoyang Zhang, Andrew Quinn, and Baris Kasikci. 2022. Debugging in the Brave New World of Reconfigurable Hardware. In *ACM International Conference on Architectural Support for Programming Languages and Operating Systems (ASPLOS)*.
- [30] Maxeler. 2021. *MaxCompiler*. Retrieved November 19, 2021 from <https://www.maxeler.com/products/software/maxcompiler/>
- [31] Rachit Nigam, Sachille Atapattu, Samuel Thomas, Zhijing Li, Theodore Bauer, Yuwei Ye, Apurva Koti, Adrian Sampson, and Zhiru Zhang. 2020. Predictable Accelerator Design with Time-Sensitive Affine Types. In *ACM SIGPLAN Conference on Programming Language Design and Implementation (PLDI)*.
- [32] Rachit Nigam, Samuel Thomas, Zhijing Li, and Adrian Sampson. 2021. A compiler infrastructure for accelerator generators. In *ACM International Conference on Architectural Support for Programming Languages and Operating Systems (ASPLOS)*.
- [33] Rishiyur Nikhil. 2004. Bluespec System Verilog: Efficient, correct RTL from high level specifications. In *Conference on Formal Methods and Models for Co-Design (MEMOCODE)*.
- [34] Clément Pit-Claudel, Thomas Bourgeat, Stella Lau, and Adam Chlipala. 2021. Effective simulation and debugging for a high-level hardware language using software compilers. In *ACM International Conference on Architectural Support for Programming Languages and Operating Systems (ASPLOS)*.
- [35] The CIRCT project. 2022. *CIRCT*. Retrieved October 26th, 2022 from <https://circt.llvm.org/>
- [36] Jared Roesch, Steven Lyubomirsky, Marisa Kirisame, Logan Weber, Josh Pollock, Luis Vega, Ziheng Jiang, Tianqi Chen, Thierry Moreau, and Zachary Tatlock. 2019. Relay: A high-level compiler for deep learning. *arXiv preprint arXiv:1904.08368* (2019).
- [37] Eric Schkufza, Michael Wei, and Christopher J Rossbach. 2019. Just-in-time compilation for Verilog: A new technique for improving the FPGA programming experience. In *ACM International Conference on Architectural Support for Programming Languages and Operating Systems (ASPLOS)*.
- [38] The GNU Project. 2021. *GDB: The GNU Project Debugger*. Retrieved November 17, 2021 from <https://www.gnu.org/software/gdb/>

- [39] Anurag Tiwari and Karen A Tomko. 2003. Scan-chain based watch-points for efficient run-time debugging and verification of FPGA designs. In *Proceedings of the ASP-DAC Asia and South Pacific Design Automation Conference*.
- [40] Mike Turpin. 2003. The Dangers of Living with an X (bugs hidden in your Verilog). In *Boston Synopsys Users Group Meeting* (14).
- [41] Veripool. 2021. Verilator. <https://www.veripool.org/wiki/verilator>.
- [42] Veripool Inc. 2021. *Verilator array out of bounds behavior*. <https://github.com/verilator/verilator/blob/master/docs/guide/languages.rst#array-out-of-bounds>
- [43] L-T Wang, Nathan E Hoover, Edwin H Porter, and John J Zasio. 1987. SSIM: A software leveled compiled-code simulator. In *Design Automation Conference (DAC)*.
- [44] Stephen Williams. 2021. *Icarus Verilog*. Retrieved November 8, 2021 from <http://iverilog.icarus.com/>
- [45] Xilinx Inc. 2021. *ChipScope Integrated Logic Analyzer*. Retrieved November 17, 2021 from https://www.xilinx.com/products/intellectual-property/chipscope_ila.html
- [46] Xilinx Inc. 2021. *Vivado Design Suite User Guide: High-Level Synthesis. UG902 (v2017.2) June 7, 2017*. Retrieved January 16, 2021 from https://www.xilinx.com/support/documentation/sw_manuals/xilinx2017_2/ug902-vivado-high-level-synthesis.pdf
- [47] Xilinx Inc. 2021. *Vivado Design Suite User Guide: Synthesis. UG901 (v2017.2) June 7, 2017*. Retrieved November 19, 2021 from https://www.xilinx.com/support/documentation/sw_manuals/xilinx2017_2/ug901-vivado-synthesis.pdf
- [48] Keyi Zhang, Zain Asgar, and Mark Horowitz. 2022. Bringing Source-Level Debugging Frameworks to Hardware Generators. In *Design Automation Conference (DAC)*.

Received 2022-07-07; accepted 2022-09-22